



# 51 Series

## 3-Way Diverting Ball Valve

FOR GAS SERVICE

### SPECIFICATION:

Bronze 3-way diverting ball valve

**SEATING:** P.C.T.F.E

**CONSTRUCTION:** AS1271 Standard

**SIZES:** 25mm inlet sch.10 stub end with optional 15mm & 20mm relief outlet.

40mm inlet sch.10 stub end with optional 25mm relief outlet.

**ENDS:** Stub end inlet screwed B.S.P. female or N.P.T. female.

**SERVICE:** Gas

**TEMPERATURE RATING:**  
minus - 196 °C to + 200°C

**PRESSURE RATING:**  
41 bar maximum



Model 5138CR

**51**  
FOR GAS SERVICE  
**3-WAY DIVERTING BALL VALVE**

### FEATURES AND APPLICATIONS:

Mack 3-way Ball Diverter valve features a special anti double block design preventing the possibility of incorrect installation or repair.

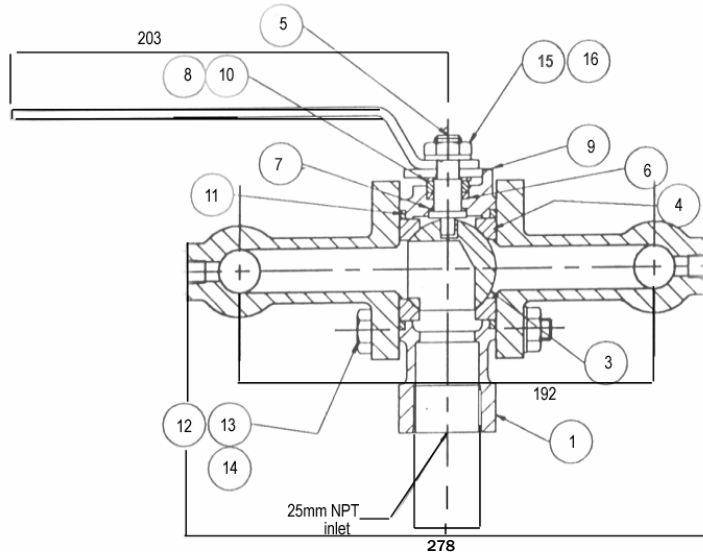
Comes with P.T.F.E. 'V' packing.

*Also available in stainless steel material on request*

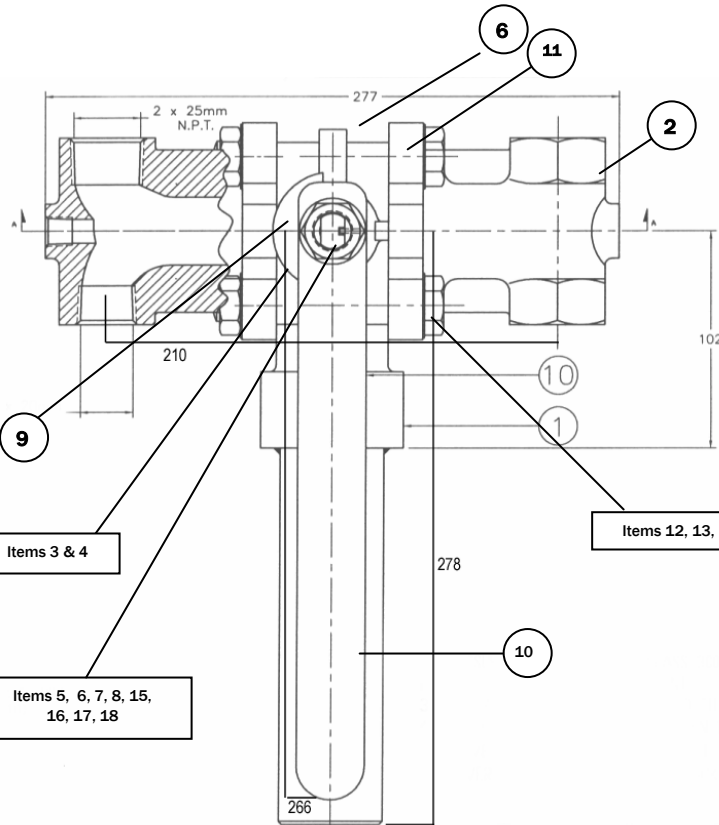
# 51 Series 3-Way Diverting Ball Valve

FOR GAS SERVICE

Valve size 25 x 15mm



Item	Description	Material
1	Body	GM
2	Cap	GM
3	Ball	Mn Br
4	Seat	P.T.F.E
5	Spindle	Mn Br
6	Seal	P.T.F.E
7	Washer	P.T.F.E
8	Gland	S.S
9	Handle stop	Brass
10	Handle	304 S.S
11	Gasket	304 S.S/P.T.F.E
12	Hex bolt	304 S.S.
13	Hex nut	304 S.S.
14	Washer	304 S.S.
15	Hex locknut	304 S.S.
16	Spring washer	304 S.S.
<b>Note items 17 &amp; 18 40mm size only</b>		
17	Spring pin	304 S.S.
18	Belleville Washer	304 S.S.



Valve size 40 x 25mm