



551 Series

CRYOGENIC 3 PIECE BALL VALVE FOR CRYOGENIC & GAS SERVICE

SPECIFICATION:

- **DESIGN:** Bronze 3 piece body with cavity pressure relief.
- **SEATING:** Cryofil (low temp PTFE)
- **CONSTRUCTION:** Brass/Bronze to ASTM B 584 Alloy B, Body & Ball. or optional S/S Ball
- **SIZES:** 1/2" Through 2" (15mm through 50mm)
- **ENDS:** NPT screwed or socket weld.
- **SERVICE:** Cryogenic and gas
- **TEMPERATURE RATING:** Minus -196°C to + 150°C
- **PRESSURE RATING:** ANSI 600lb.



CRYOGENIC VALVES

551

3 PIECE BALL VALVE FOR CRYOGENIC & GAS SERVICE

FEATURES AND APPLICATIONS:

3 Piece Construction for ease of maintenance and installation.

Pad-Lockable Handle standard.

Welded Cryogenic Extension with adjustable Chevron Packing ensures leak tight operation.

Actuator Mounting Pad allows for easy Actuation.

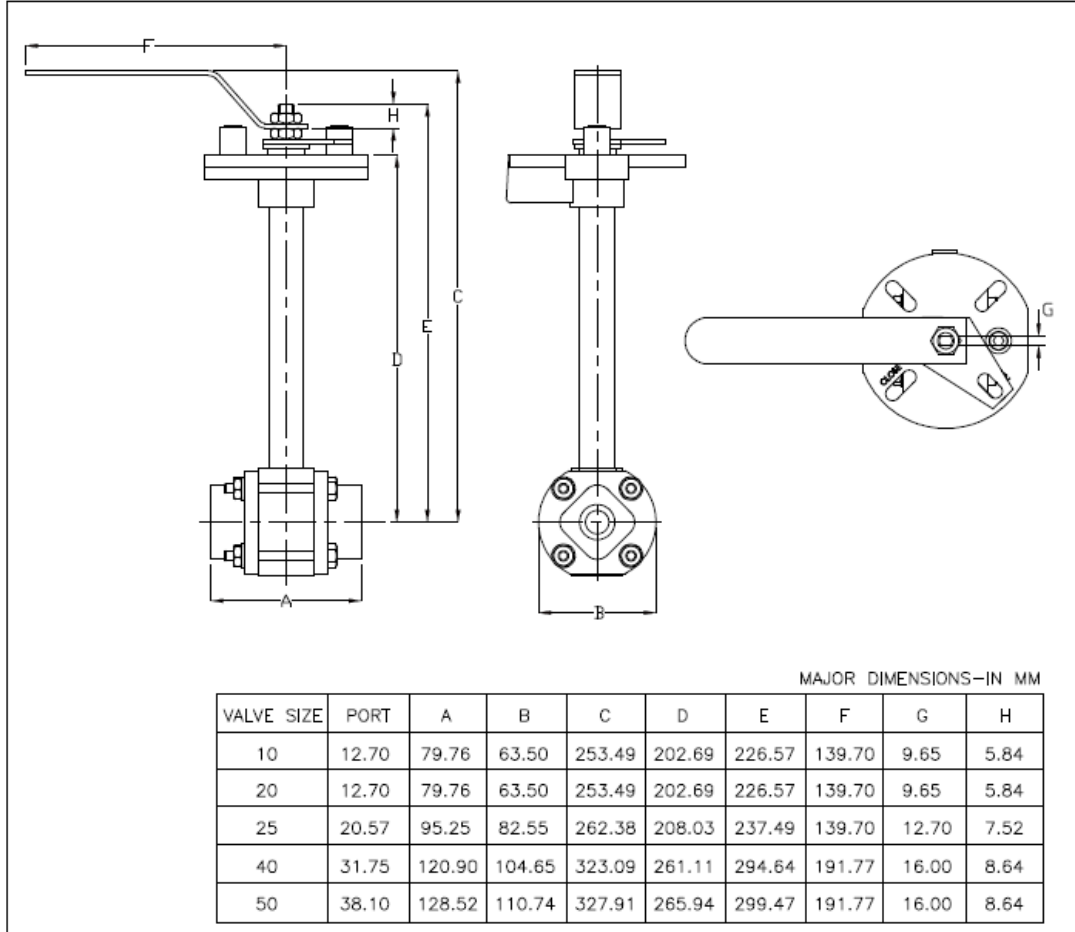
Raised face end plates ensure positive alignment of components and totally encapsulated seals for superior leak free operation.

Cleaned & Bagged for Oxygen Service.



551 Series CRYOGENIC 3 PIECEBALL VALVE

FOR CRYOGENIC SERVICE & GAS SERVICE



Mack Valves Head Office
 30 Burgess Road
 BAYSWATER, VIC 3153
 Tel: (03) 9737 5200
 Fax: (03) 9720 1344
 Email: enquiries@mackvalves.com.au

Mack Valves NSW Office
 Unit 9/9-11 Abel Street
 PENRITH NSW 2750
 Tel: (02) 4722 6033
 Fax: (02) 4722 6144
 Email: enquiries.nsw@mackvalves.com.au

Mack Valves S.A & W.A. Office
 204 Prospect Road
 PROSPECT SA 5082
 Tel: (08) 8269 6477
 Fax: (08) 8344 5934
 Email: enquiries.sa@mackvalves.com.au