



124 Series

BOLTED BONNET CRYOGENIC DISC VALVE FOR CRYOGENIC SERVICE

cryogenic valves

SPECIFICATION:

DESIGN: Bronze Bolted Bonnet.

SEATING: Glass filled PTFE disc, integral seat.

CONSTRUCTION: Bronze body with stainless steel extension.

SIZES: 1/4" Through 2"
(8mm through 50mm)

ENDS: NPT or extended toe nipples.

SERVICE: Cryogenic.

TEMPERATURE RATING:
Minus – 196°C to + 150°C

PRESSURE RATING: (cold, non-shock):
Screwed: 600 psig (42.0 Bar)

**Manufactured in materials to meet international standards*



124

BOLTED BONNET DISC VALVE FOR CRYOGENIC SERVICE

FEATURES AND APPLICATIONS:

Quality design bronze globe valve for cryogenic service with glass filled PTFE disc, bolted bonnet and cryogenic extensions.

The bolted bonnet design allows for easier in line maintenance in applications where free space is restricted.

Spare parts are fully interchangeable with the 1938CR-B7 series valves, to reduce inventory requirements.

Suitable for oxygen service.

Available with stub ends.

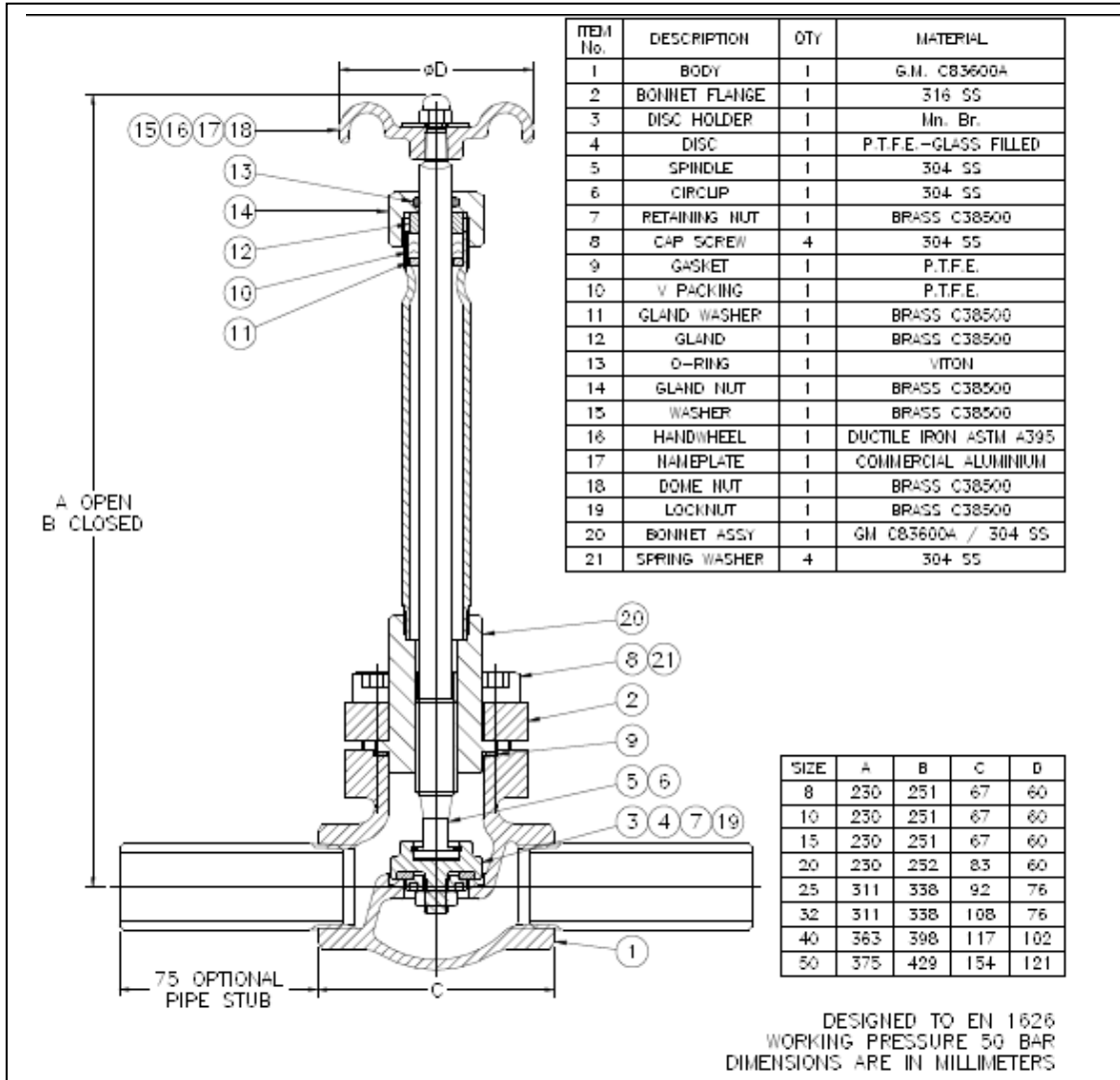
For more information on design and pricing, contact your nearest Mack outlet.



124 Series

BOLTED BONNET CRYOGENIC DISC VALVE

FOR CRYOGENIC SERVICE & GAS SERVICE



Mack Valves Head Office
 30 Burgess Road
 BAYSWATER, VIC 3153
 Tel: (03) 9737 5200
 Fax: (03) 9720 1344
 Email: enquiries@mackvalves.com.au

Mack Valves NSW Office
 Unit 9/9-11 Abel Street
 PENRITH NSW 2750
 Tel: (02) 4722 6033
 Fax: (02) 4722 6144
 Email: enquiries.nsw@mackvalves.com.au

Mack Valves S.A & W.A. Office
 204 Prospect Road
 PROSPECT SA 5082
 Tel: (08) 8269 6477
 Fax: (08) 8344 5934
 Email: enquiries.sa@mackvalves.com.au