



122 Series

S/S Cryogenic Globe Valve

FOR OXYGEN & GAS SERVICES

SPECIFICATION:

High pressure stainless steel cryogenic globe valve
- class 800.

SEATING: Stellite faced

CONSTRUCTION: Stainless Steel

SIZES: 15mm to 50mm

ENDS: Screwed N.P.T. female
Flanged to ANSI 150 & ANSI 300

SERVICE: Oxygen & Gas Service

TEMPERATURE RATING:
Packing material and temperature
rating vary with medium.

PRESSURE RATING:
Class 800 screwed ends
ANSI B16.34 (flanged end)

OXYGEN: Suitable for oxygen service to 1400kPa,
as per EIGA Standard



Model 12291ACR - ANSI 150
Max pressure 1900kPa
Model 12293ACR - ANSI 300
Max pressure 4900kPa

122

S/S CRYOGENIC GLOBE VALVE
FOR OXYGEN & GAS SERVICE

FEATURES AND APPLICATIONS:

Other body material available on request.

Valve is regularly supplied with packing and gasket of P.T.F.E. limiting service temperature to 200°C.
For services above 200°C Mack should be consulted for recommended materials.

Note - can be supplied:

- With socket weld ends (Model 12298WCR)
- P.T.F.E. disc

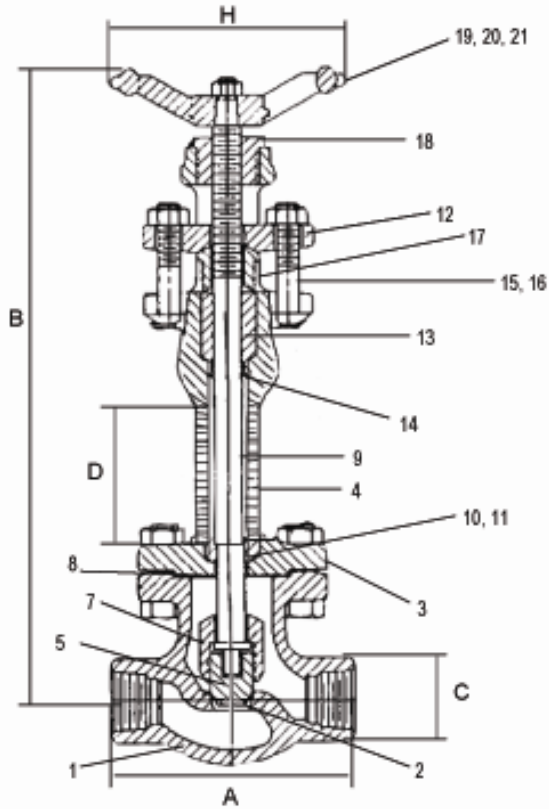
Also available without extended bonnet for gas service



122 Series

S/S Cryogenic Globe Valve

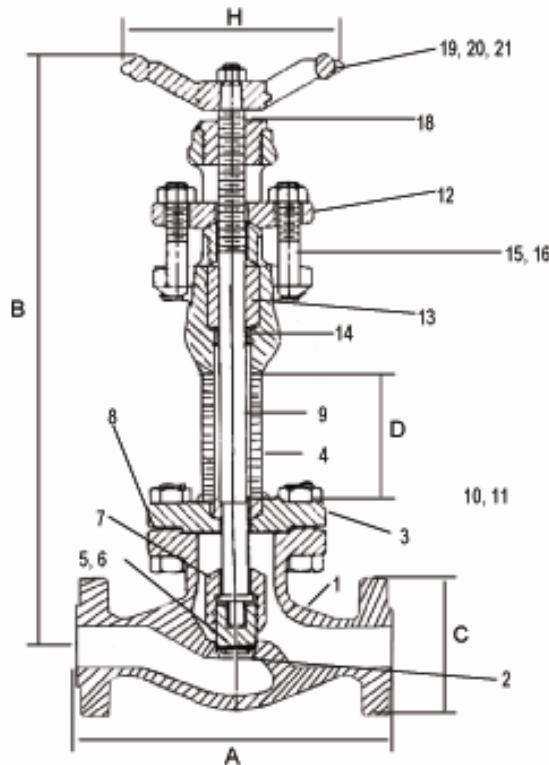
FOR OXYGEN & GAS SERVICE



Model 12298ACR Screwed NPT

Size	Dimensions in mm					Weight Kgs
	A	B	C	D	H	
10-15	80	355	32	250	90	1.7
20	90	355	39	250	111	2.2
25	110	430	48	280	125	3.7
40	155	480	66	330	155	7.5
50	170	480	80	330	212	11.0

Item	Part	Material
1	Body	A351 CF8M
2	Seat	Stelite faced
3	Bonnet	A479 316L
4	Bonnet - extension	316L Sch 160 s/s pipe
5	Disc	316
6	Swivel nut	A276 T31G
8	Gasket	S/S spiral wound graphite
9	Stem	ASTM A351 CF8
10	Stem bearing	C93200
11	Retaining ring	Bieryllon copper
12	Gland plate	A351 CF8M
13	Packing	PTFE V ring
14	Chevron adaptor	A351 CF8M
15	Gland nut	A193 GRB8
16	Gland eyebolt	A194 GRBF
17	Gland follower	A276 T316
18	Yoke bushing	A582 T303
19	Hand wheel nut	303
20	Hand wheel	Malleable iron
21	Label	303



Model 12291ACR ANSI 150
Model 12293ACR ANSI 300

Size	Dimensions in mm					Weight Kgs
	A	B	C	D	H	
15	153	355	95	250	90	4.0
20	178	355	117	250	111	5.0
25	203	430	124	280	125	7.3
40	229	480	156	330	155	14.0
50	267	480	165	330	212	19.0

Socket weld ends available - Model 12298WCR